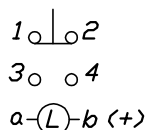


RECOMMENDED PANEL MOUNTING



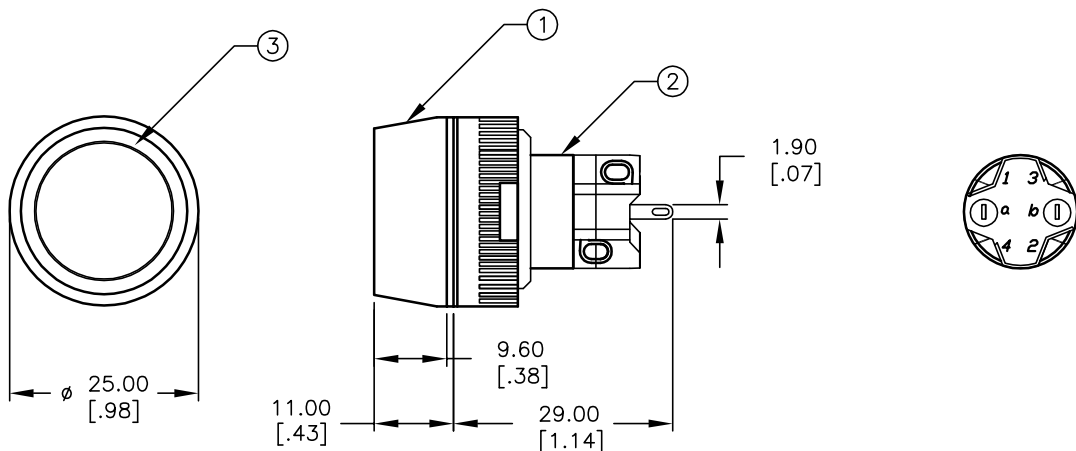
SPST  
CONTACT CONFIGURATION

NOTES:

1. ALL DIMENSIONS IN MM
2. GENERAL TOLERANCE: X.X=±0.4  
X.XX=±0.25
3. RATINGS: 5A@250V AC,  
8A@125V AC
4. CONTACT MATERIAL: COPPER ALLOY W/Gold Plating
5. TRAVEL: 3.0mm (Total) 2.0mm (Latch)
6. MECHANICAL LIFE: >100,000 Cycles
7. ELECTRICAL LIFE: >50,000 Cycles
8. INSULATION RESISTANCE: >1000 MILLI-OHMS
9. OPERATING TEMP: -20°C to 55°C
10. LAMP VOLTAGE: 12VDC (L.E.D.)

PARTS LIST			
Item	Qty.	Dwg. No.	Part No.
1	1	F051702	25mm RING FOR LA SERIES
2	1	F060602	LASEEV110
3	1	F060254	25mm GREEN LENS
-	1	F050419	50-004-19 (LAMP)

Ⓟ



**E-SWITCH®**

TITLE LASEEV11JGRN

B	13845	CORRECT PART NUMBER	3/18/04	AR
A	13837	RELEASED FOR PRODUCTION	3/16/04	AR
REV.	ECN No.	DESCRIPTION	DATE	CHKD

SCALE	DATE	DR	DWG	REV
1:1	3/16/04	AR	XF0237P	B

THE INFORMATION CONTAINED IN THIS DOCUMENT IS PROPRIETARY TO E-SWITCH AND IS NOT TO BE COPIED OR TRANSFERRED